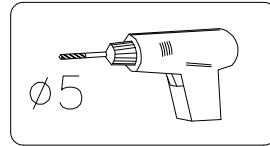
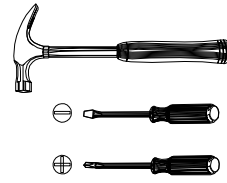
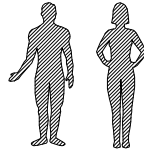
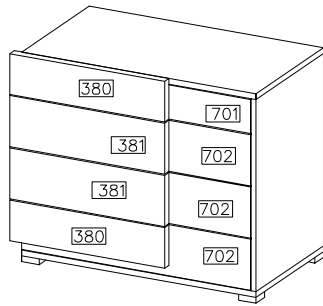
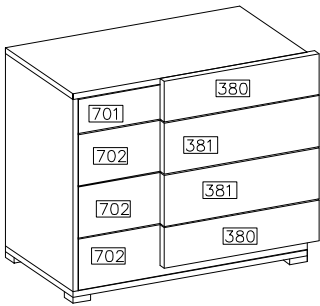
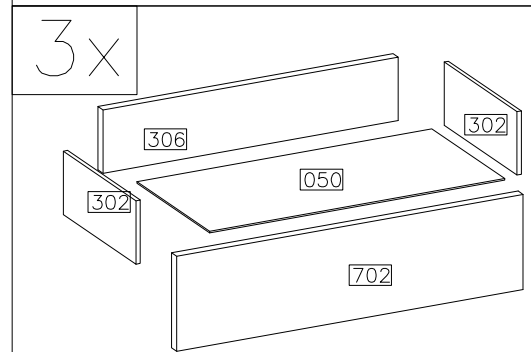
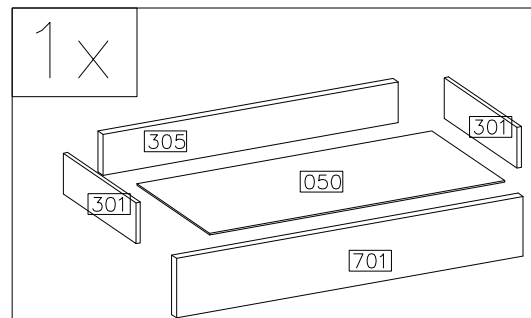
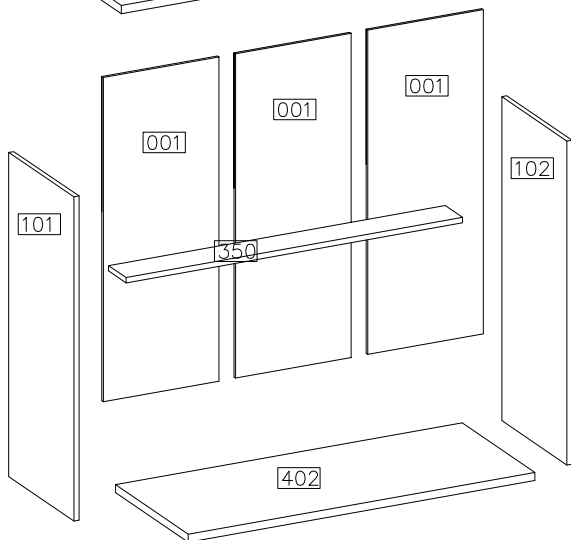
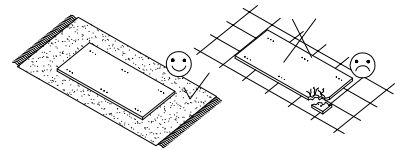
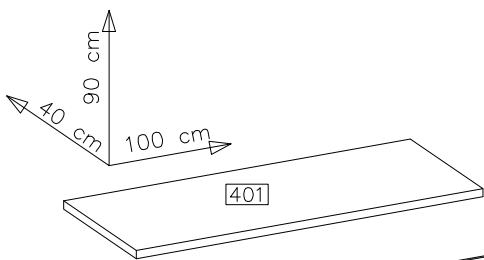


# BAFRA-4S

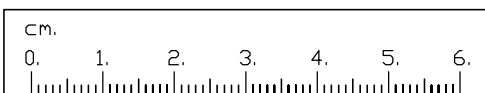
46



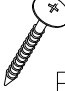
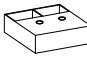
#		
1	401	1
2	402	1
3	101	1
4	102	1
5	701	1
6	301	2
7	305	1
8	050	4
9	702	3
10	302	6
11	306	3
12	001	3
13	350	1
14	380	2
15	381	2

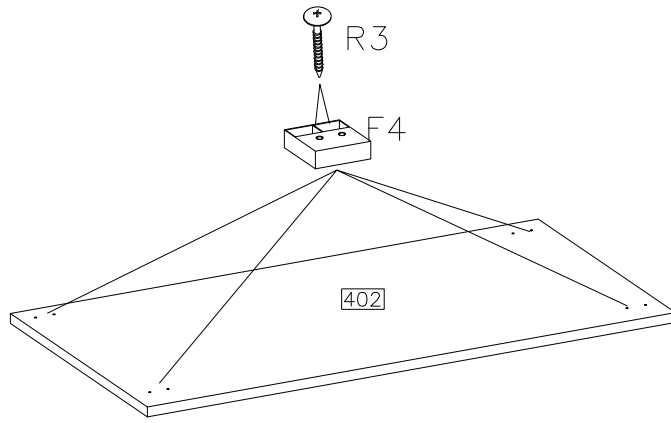


	Ø15/12mm 		Ø8x30mm 	Ø4.0x16mm 	4.0x40mm 	
10	10	10	42	48	16	16
4.0x35mm 						
8	4	4KPL	2	80	4	



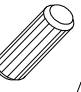


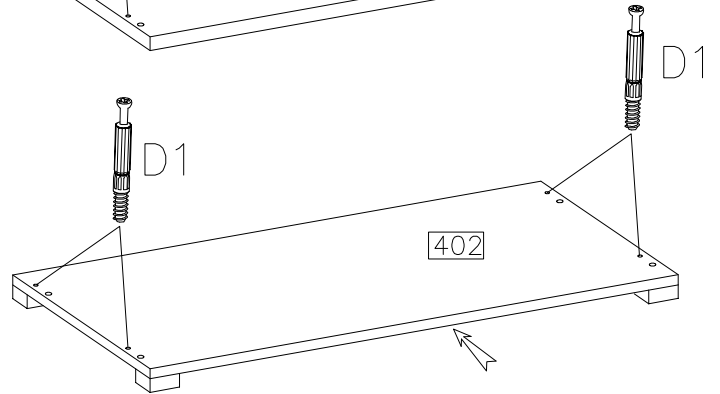
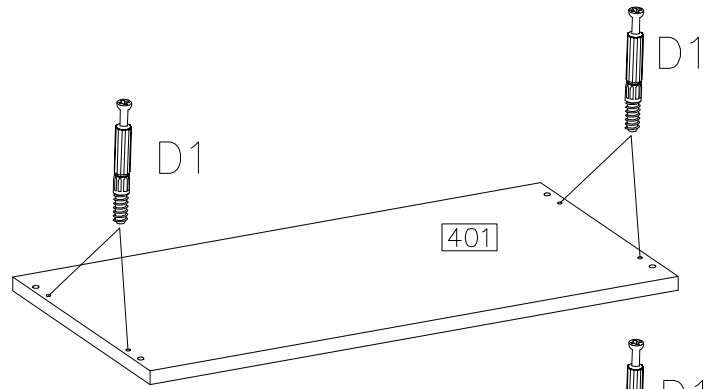
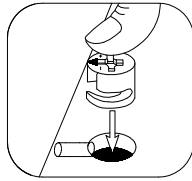
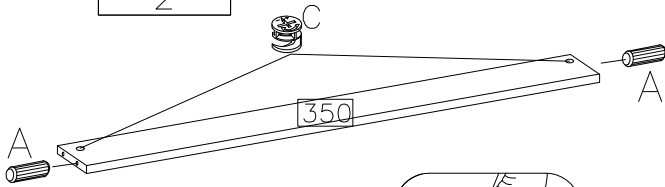
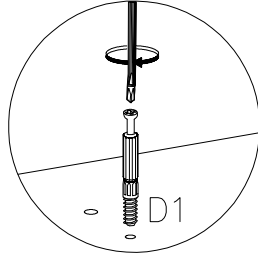
1

4.0x35mm  R3 8	 F4 4
----------------------------------------------------------------------------------------------------------	----------------------------------------------------------------------------------------------

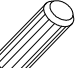



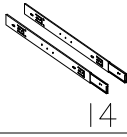


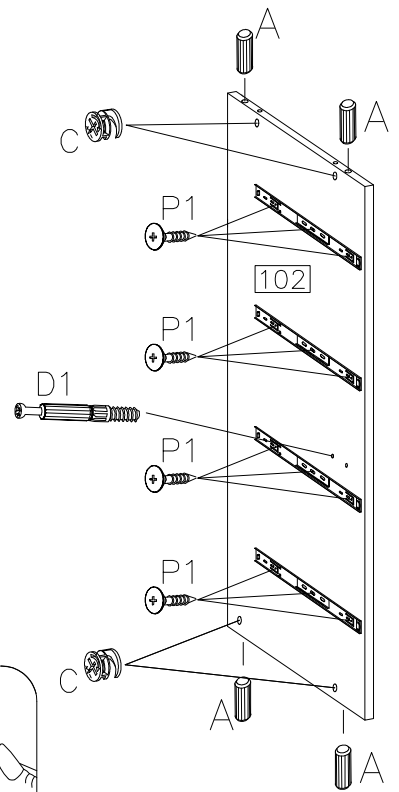
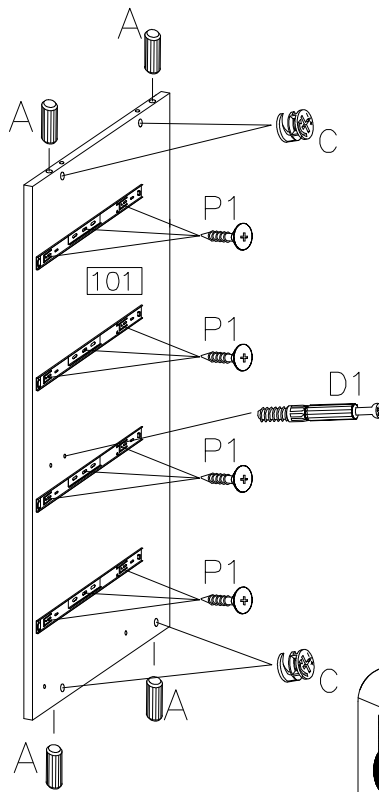
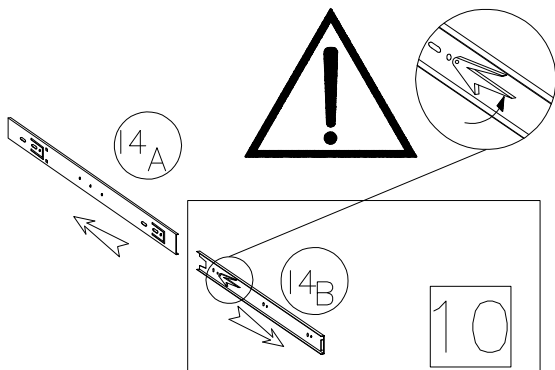
2

 D1 8	 C 2
 A 2	$\phi 15/12\text{mm}$

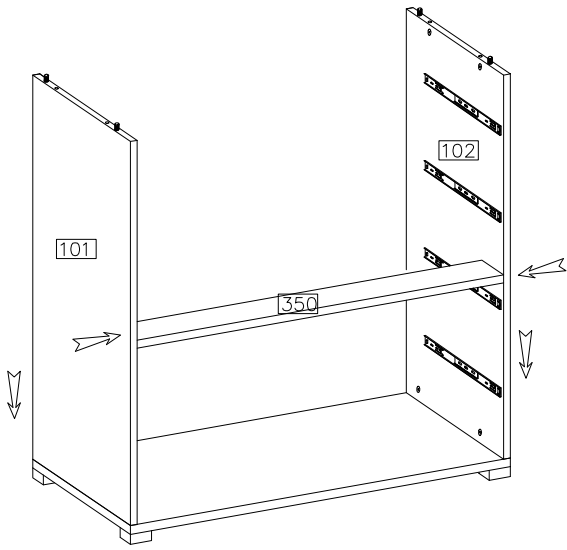
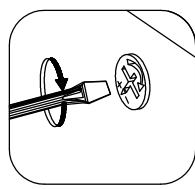
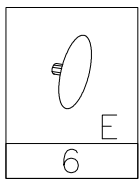


3

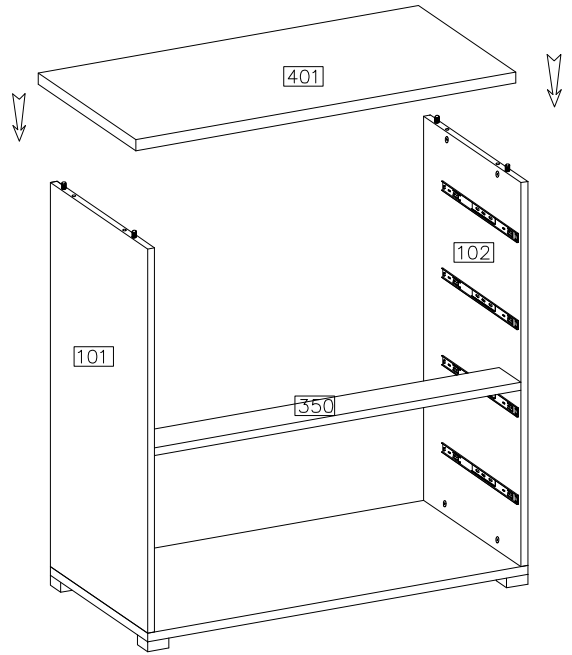
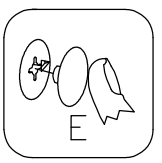
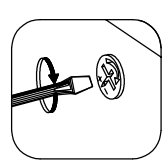
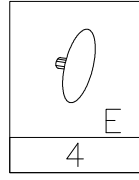
$\phi 8 \times 30\text{mm}$  A 8	$\phi 15/12\text{mm}$  C 8	$\phi 4.0 \times 16\text{mm}$  P1 24
 D1 2	 14 4KPL	



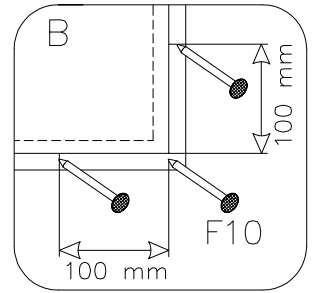
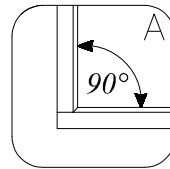
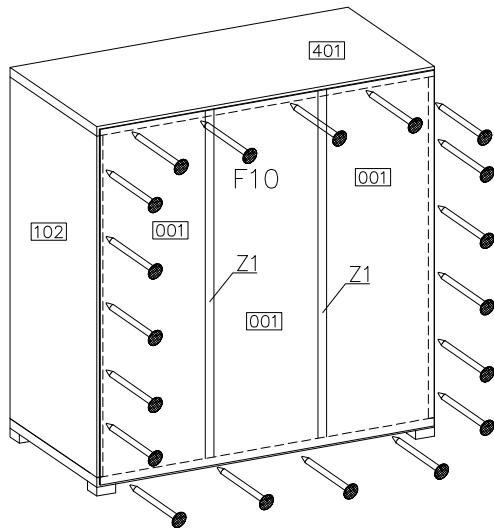
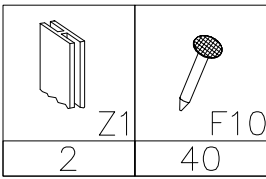
4



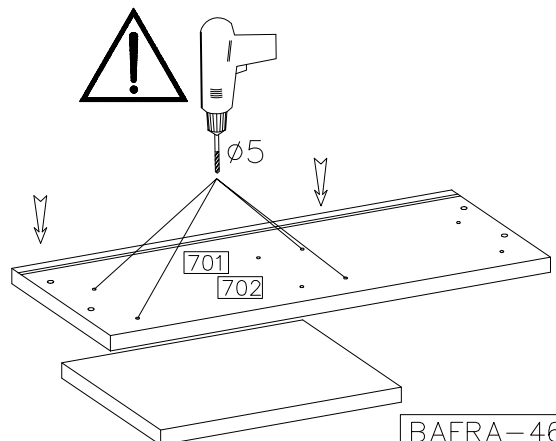
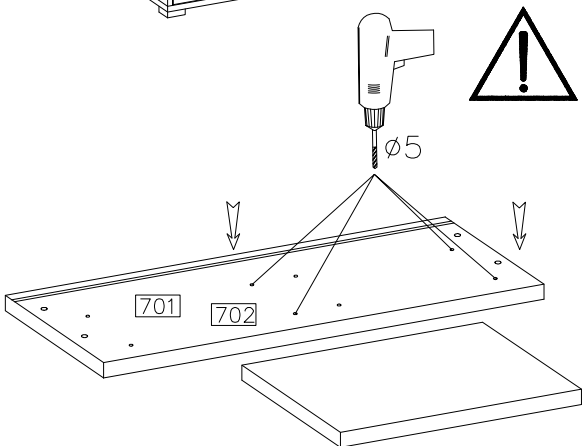
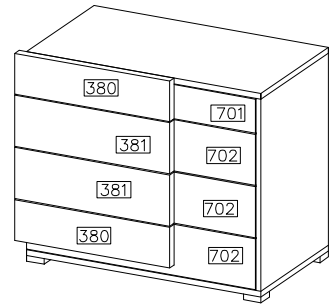
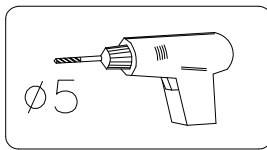
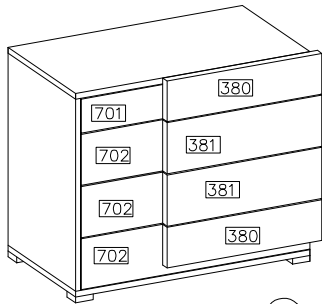
5



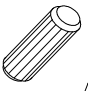

6



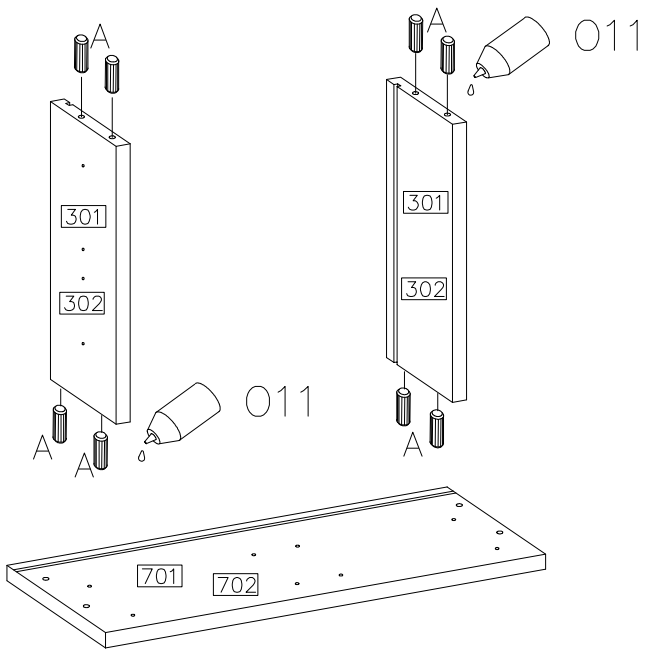
7





8

∅8x30mm		
A		011
32		

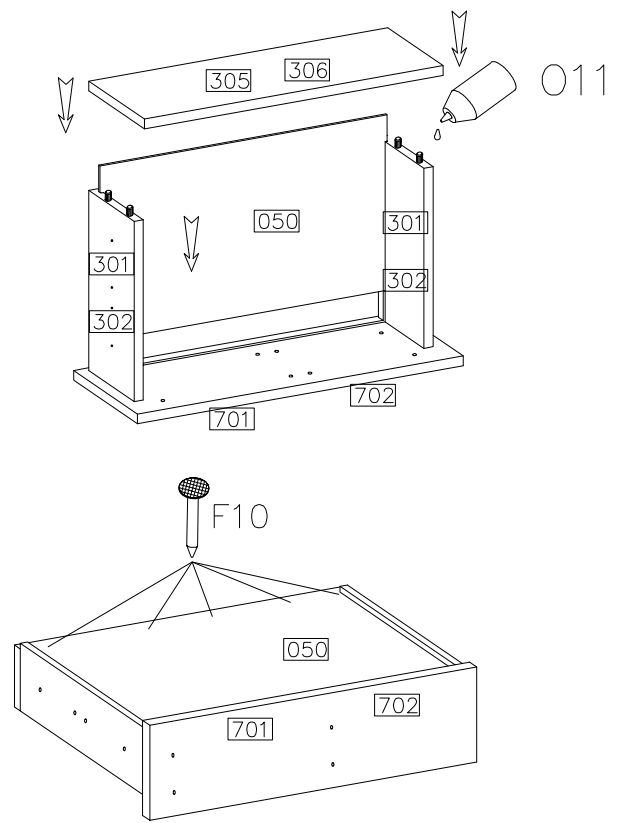
4x



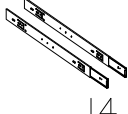

9

	
F10	011
40	

4x



10

	∅4.0x16mm	4.0x40mm	
I4	P1	R2	C2
4KPL	24	16	16

